

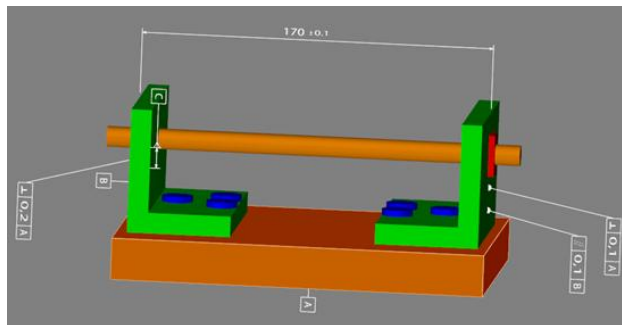
At the latest LOTAR / CAX Implementor Forum session, Datakit unveils a new pilot for converting PMI data into STEP XML assemblies.

The last LOTAR workshop was held in Hamburg (Germany) from 10 to 13 March 2025. Datakit presented its latest solution on writing PMI in assemblies. This pilot is the result of 3 years' work by our experts as part of the LOTAR PMI and assemblies project.

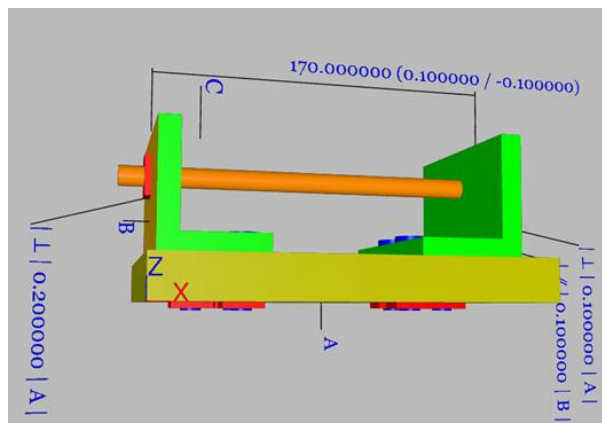
Since its creation, the objective of LOTAR International is to develop, test, publish and maintain standards for long-term archiving of digital product and technical data and Datakit is particularly involved in the developments of STEP AP242 standard, especially for Edition 4.

The pilot presented by Datakit enables the export of annotations and dimensioning data in multi-level & nested assemblies to STEP XML. Views with cameras and clipping-planes, PMI positioning and semantic data are all covered. The notions of external file reference with UUID also come into account and were a challenge in this task.

From native format



To STEP XML (HTML View^o)



The LOTAR 3D Mechanical workgroup appreciated the approach and the results of the work that was carried out, as well as the possibilities offered by the future AP242E4 for exchanging data at assembly level in a variety of areas, such as PMI, kinematics and PDM data.

Contact : solutions@datakit.com

To know more about LOTAR : <https://lotar-international.org/>

Links : <https://lotar-international.org/links/>